



Durch Klicken auf
das untenstehende
Inhaltsverzeichnis,
gelangen Sie direkt
zum gewünschten
Produkt!

Chapter IV High voltage connectors

High Voltage Connectors for Outdoor Terminations	58
--	----



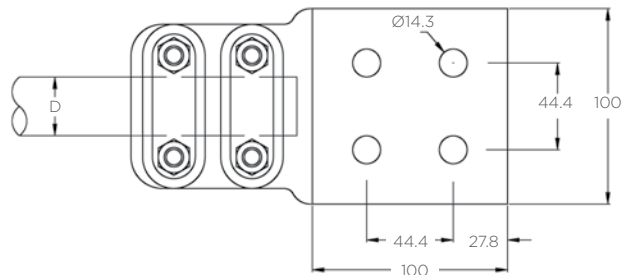
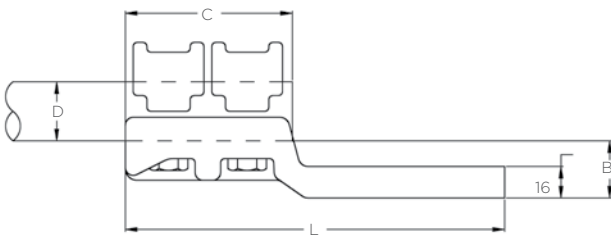
High Voltage Connectors for Outdoor Terminations

APPLICATION

- Our full line of connectors and accessories for high voltage cable accessories covers most applications in an electrical network. These connectors are typically used for the connection of outdoor terminations to bus bars or overhead lines. Industry leading TE's Raychem high voltage cable accessories are combined with in-house engineered high-voltage connectors to make assemblies that are easy to install and completely reliable in the energy environment.

FEATURES

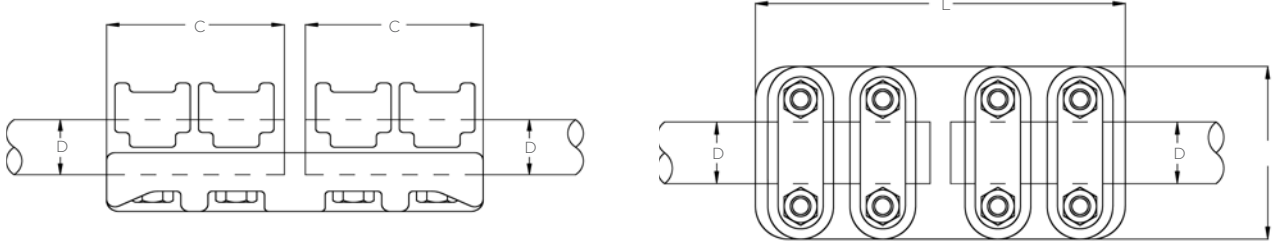
- High-strength aluminium alloy
- Various sizes available
- Individual solutions and special designs are available upon request
- High reliability and operates under extreme environmental conditions
- Fast and safe installation
- Excellent electrical and mechanical performance
- Easy installation with socket wrench



Terminal Pad (NEMA)

Description	D	B	C	L	RPN
CD 82 30 100 C290	26 - 31	29	85	193	707021-1
CD 82 40 100 C290	36 - 41	32	92	200	707127-1
CD 82 50 100 C290	46 - 51	25	94	207	718671-1

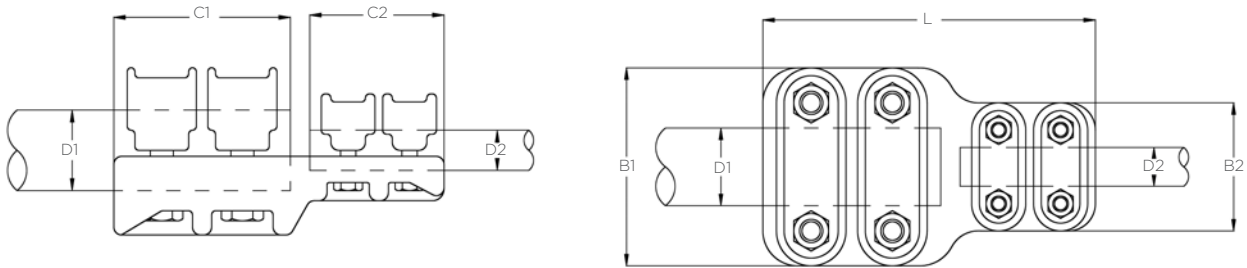
NOTE Dimensions in mm



Straight Rod

Description	D	C	L	RPN
RD 82 30	26 - 31	85	180	706684-1
RD 82 40	36 - 41	92	195	706685-1
RD 82 50	46 - 51	94	200	1510395-1
4TG82T60	56 - 61	92	200	707216-1

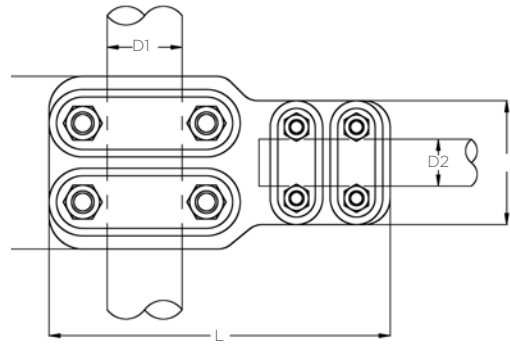
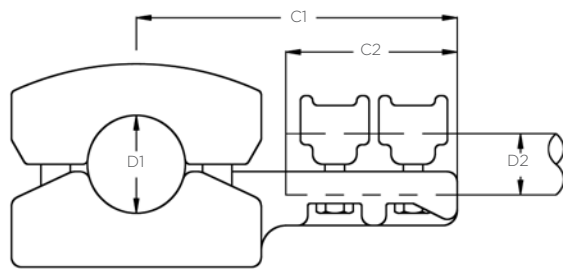
NOTE Dimensions in mm



Straight Transition Rod

Description	D1	D2	B1	B2	C1	C2	L	RPN
RD 82 30 20	26 - 31	16 - 21	84	66	85	70	165	706948-1
RD 82 30 25	26 - 31	21 - 26	84	66	85	70	165	706636-1
RD 82 35 30	26 - 31	31 - 36	84	84	85	85	180	706949-1
RD 82 40 20	26 - 31	16 - 21	102	66	92	70	172	706700-1
RD 82 40 25	36 - 41	21 - 26	102	66	92	70	172	706635-1
RD 82 40 30	36 - 41	26 - 31	102	84	92	85	187	706655-1
RD 82 40 35	36 - 41	31 - 36	102	84	92	85	187	706663-1
RD 82 35 30	36 - 41	16 - 21	112	66	92	70	174	712016-1
RD 82 35 30	46 - 51	21 - 26	112	66	92	70	174	716341-1
RD 82 35 30	46 - 51	26 - 31	112	84	92	85	189	711000-1
RD 82 35 30	46 - 51	31 - 36	112	84	92	85	189	711002-1
RD 82 35 30	46 - 51	36 - 41	112	102	92	92	196	711001-1

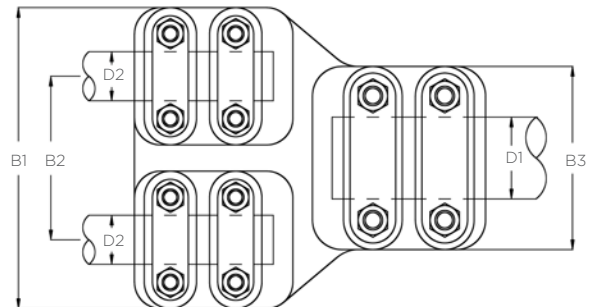
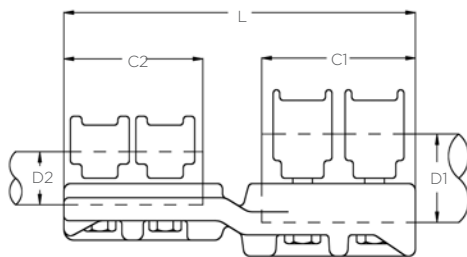
NOTE Dimensions in mm



T - Rod

Description	D1	D2	B1	B2	C1	C2	L	RPN
T 82 30 20	26 - 31	16 - 21	124	70	166	716192-1	165	706948-1
T 82 30 25	26 - 31	21 - 26	124	70	166	706686-1	165	706636-1
T 82 30	26 - 31	26 - 31	140	85	182	706627-1	180	706949-1
T 82 30 35	26 - 31	31 - 36	140	85	182	706683-1	172	706700-1
T 82 30 40	26 - 31	36 - 41	143	92	195	706667-1	172	706635-1
T 82 40 20	36 - 41	16 - 21	131	70	182	716198-1	187	706655-1
T 82 40 25	36 - 41	21 - 26	131	70	182	716106-1	187	706663-1
T 82 40 30	36 - 41	26 - 31	146	85	197	706624-1	174	712016-1
T 82 40 35	36 - 41	31 - 36	146	85	207	706623-1	174	716341-1
T 82 40	36 - 41	36 - 41	151	92	207	711001-1	189	711000-1
T 82 50 20	46 - 51	16 - 21	135	70	191	716203-1	189	711002-1
T 82 50 25	46 - 51	21 - 26	135	70	191	718670-1	196	711001-1
T 82 50 30	46 - 51	26 - 31	151	85	207	716342-1	180	706949-1
T 82 50 35	46 - 51	31 - 36	151	85	207	716204-1	172	706700-1
T 82 50 40	46 - 51	36 - 41	158	92	214	706664-1	172	706635-1
T 82 60 20	56 - 61	16 - 21	143	70	176	706778-1	187	706655-1
T 82 60 25	56 - 61	21 - 26	143	70	176	716206-1	187	706663-1
T 82 60 30	56 - 61	26 - 31	153	85	190	706633-1	174	712016-1
T 82 60 35	56 - 61	31 - 36	153	85	190	716207-1	174	716341-1
T 82 60 40	56 - 61	36 - 41	160	92	196	716208-1	189	711000-1
T 82 60 45	56 - 61	41 - 46	160	92	196	716209-1	189	711002-1

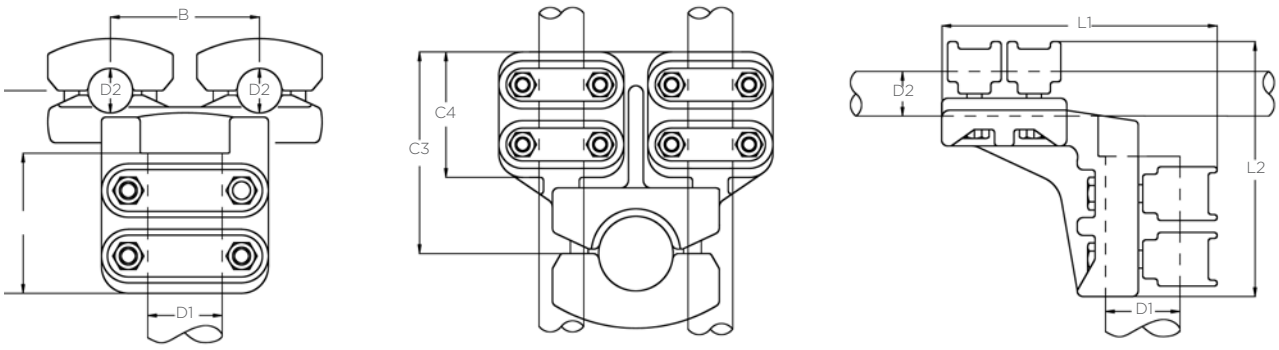
NOTE Dimensions in mm



Twin Straight Rod

Description	D1	D2	B1	B2	B3	C1	C2	L	RPN
RD 82 F 30 E100 50	46 - 51	36 - 41	184	100	112	94	85	214	789025-1
RD 82 F 35 E100 50	46 - 51	31 - 36	184	100	122	94	85	214	717157-1
RD 82 F 40 E105 50	46 - 51	36 - 41	207	105	112	94	85	230	714766-2

NOTE Dimensions in mm



Twin T-Rod

Description	D1	D2	B	C3	C4	L1	L2	RPN
T 82 F 30 E100 50	46 - 51	26 - 31	100	134	84	135	136	793423-1
T 82 F 35 E100 50	46 - 51	31 - 36	100	134	84	135	136	0793337-1
T 82 F 40 E100 50	46 - 51	36 - 41	105	145	92	145	145	1306071-1
T 82 F 30 E100 60	56 - 61	26 - 31	100	131	94	140	131	1830731-1
T 82 F 35 E100 60	56 - 61	31 - 36	100	131	94	140	131	792694-1
T 82 F 40 E105 60	56 - 61	36 - 41	105	145	92	140	131	718666-1

NOTE Dimensions in mm